



**PUBLIC HEALTH
RESEARCH CENTER -
RELOCATION
RENOVATIONS**

USC PROJECT # H27-1988

TAG	DESCRIPTION	DATE
-----	-------------	------

TAG	DESCRIPTION	DATE

Project: 11USC396

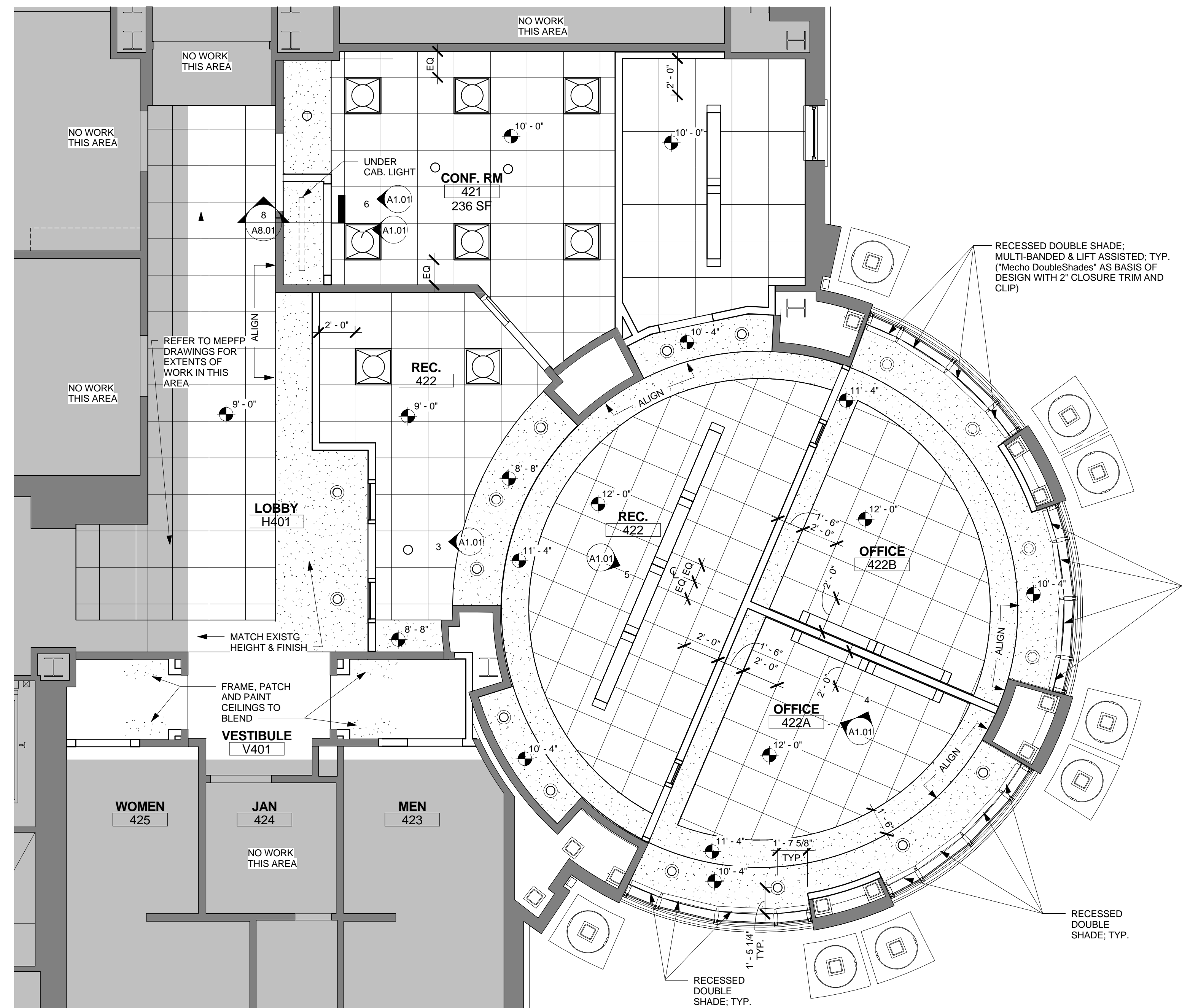
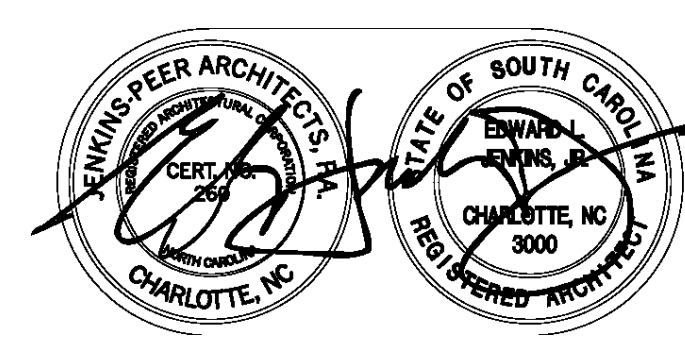
Drawn By: BKM

Checked By: BDB

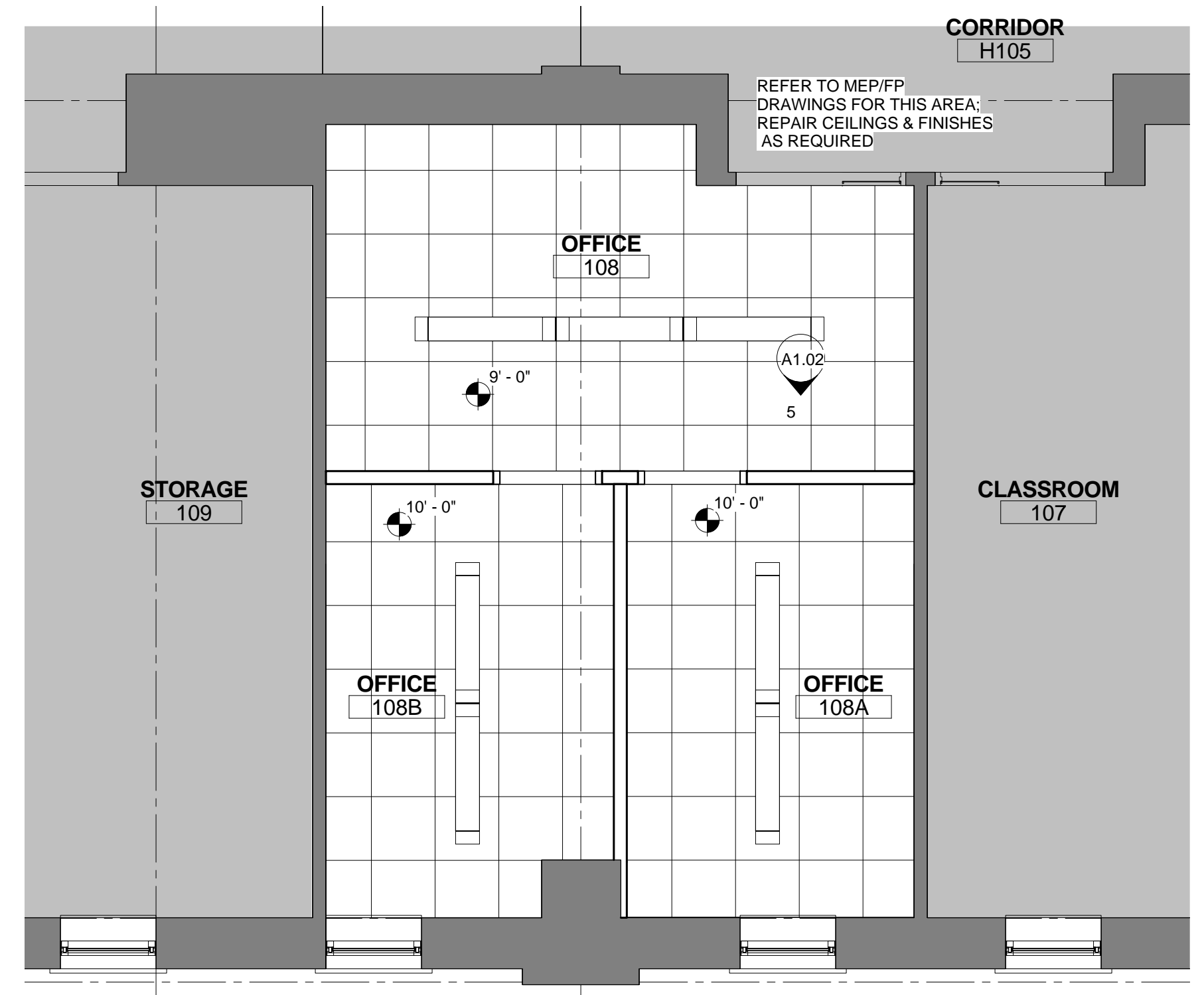
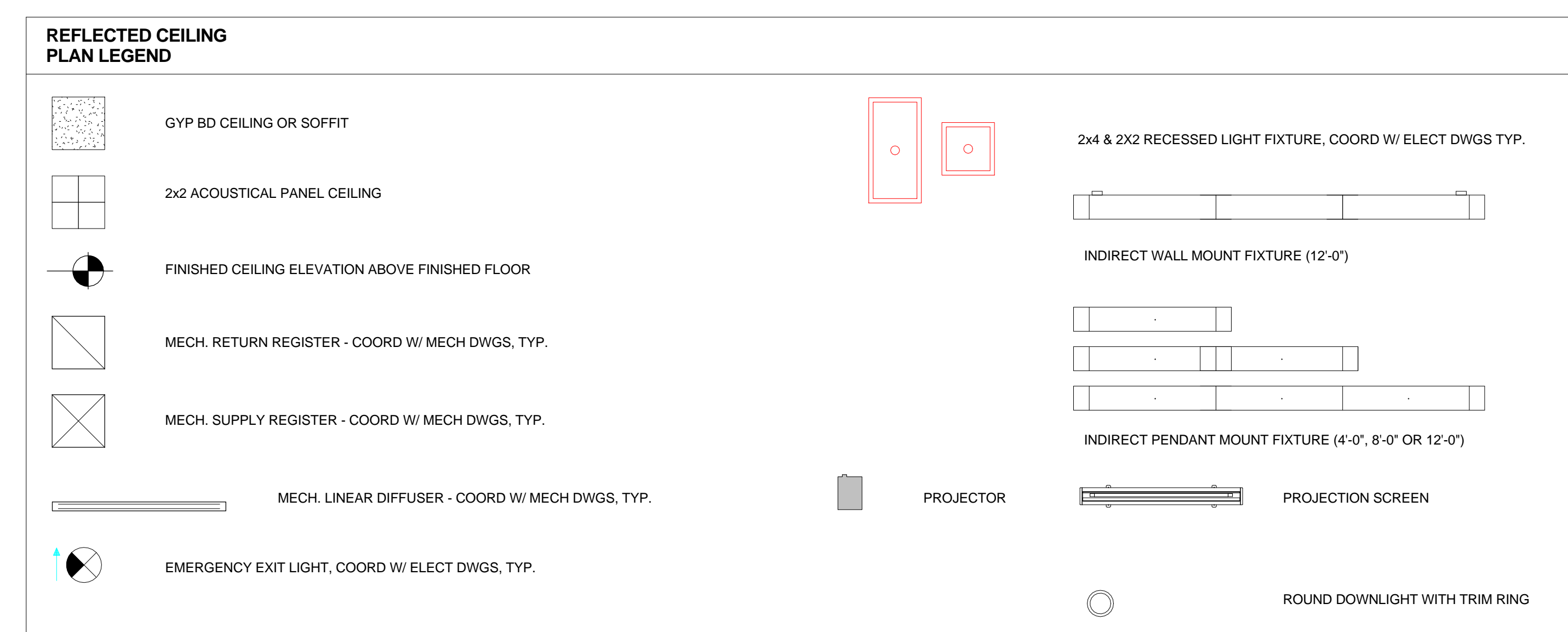
Date: 08 March 2012

Jenkins • Peer Architects © copyright 2012

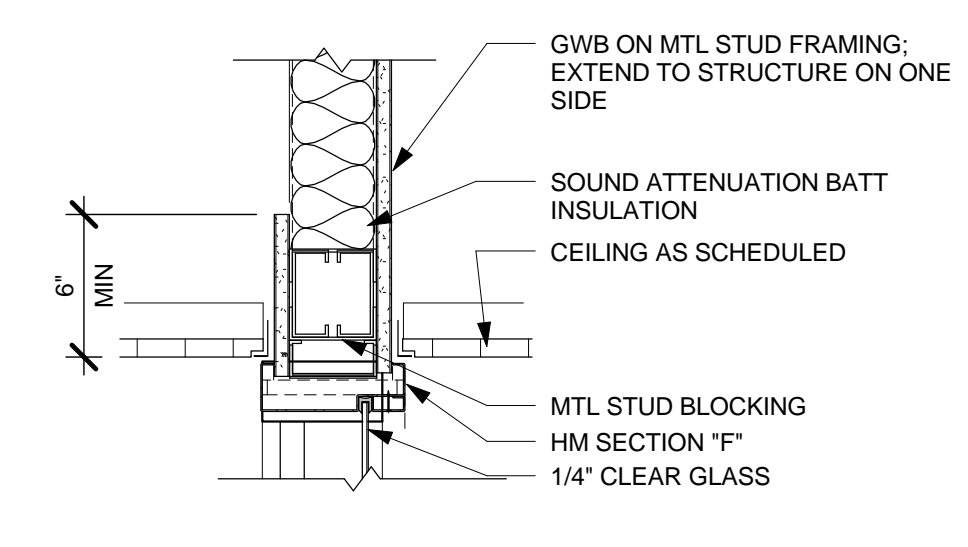
**ENLARGED
REFLECTED
CEILING PLANS**



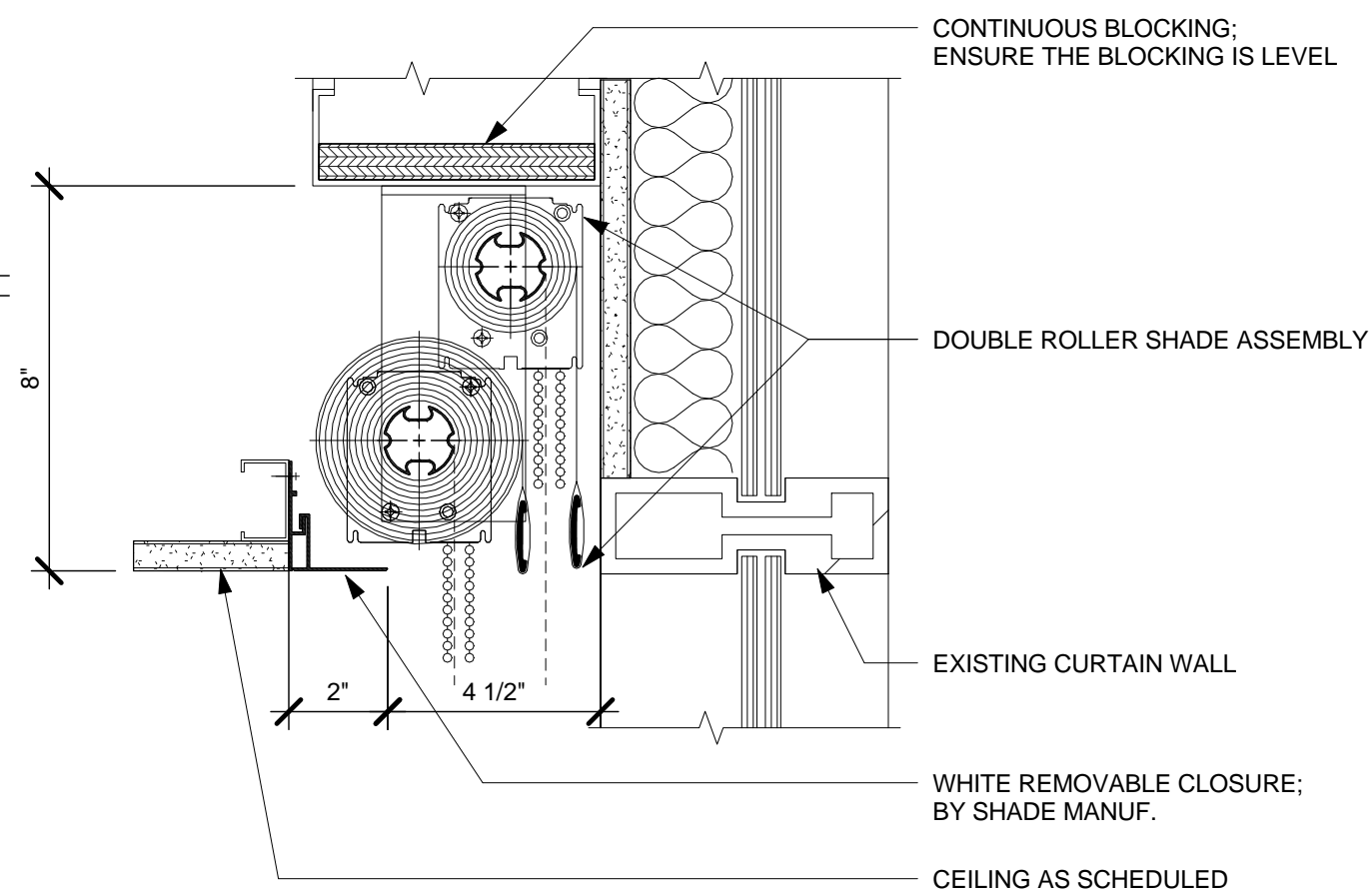
4 FOURTH FLOOR REFLECTED CEILING PLAN
1/4" = 1'-0"



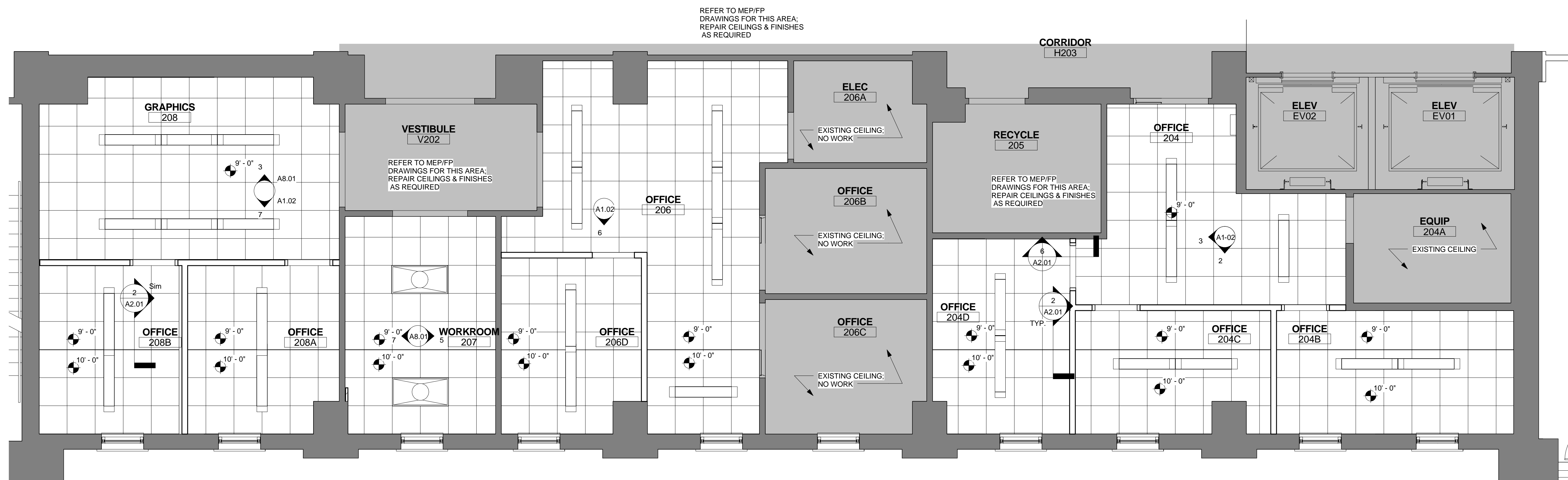
5 FIRST FLOOR REFLECTED CEILING PLAN
1/4" = 1'-0"



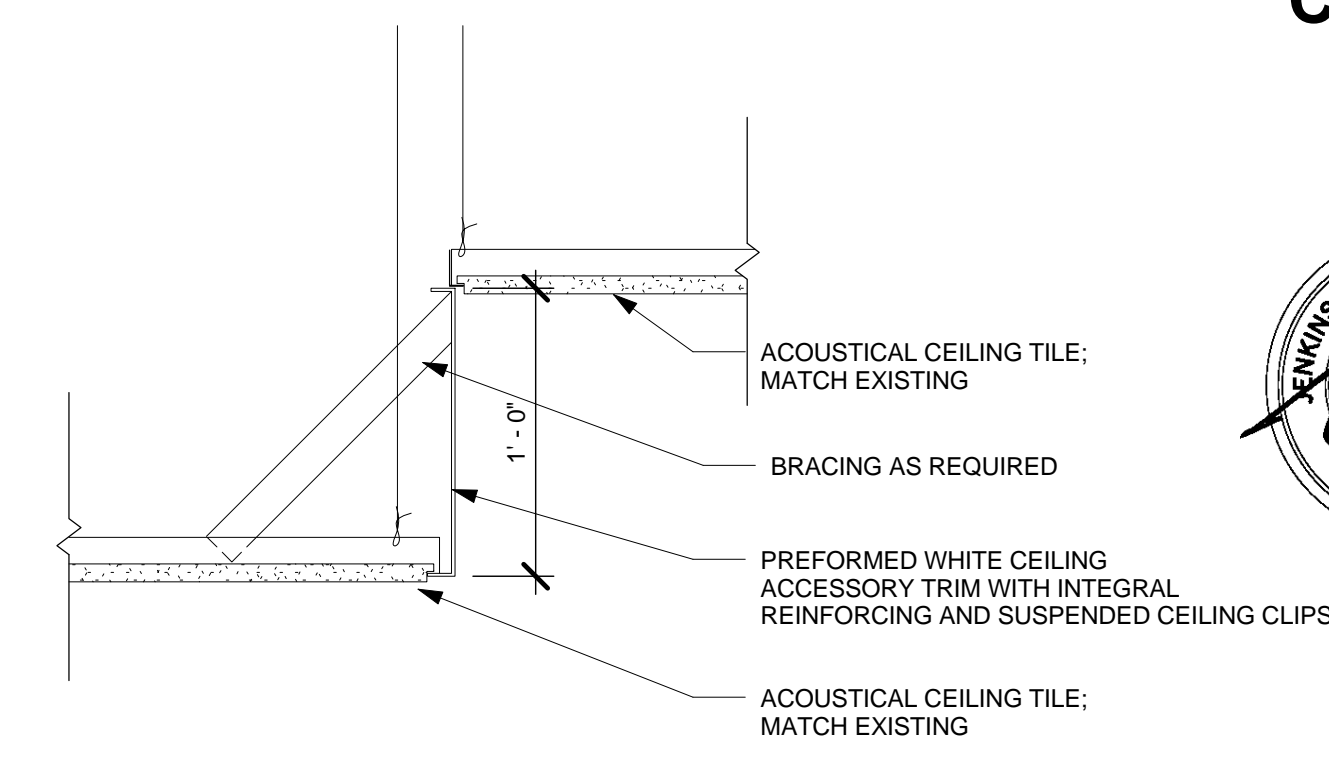
6 HM HEAD TO CEILING DETAIL
1 1/2" = 1'-0"



3 SHADE SECTION DETAIL
3" = 1'-0"



1 SECOND FLOOR REFLECTED CEILING PLAN
1/4" = 1'-0"



2 TYPICAL CEILING TRANSITION DETAIL
1 1/2" = 1'-0"

**ISSUED FOR
CONSTRUCTION**

A2.01